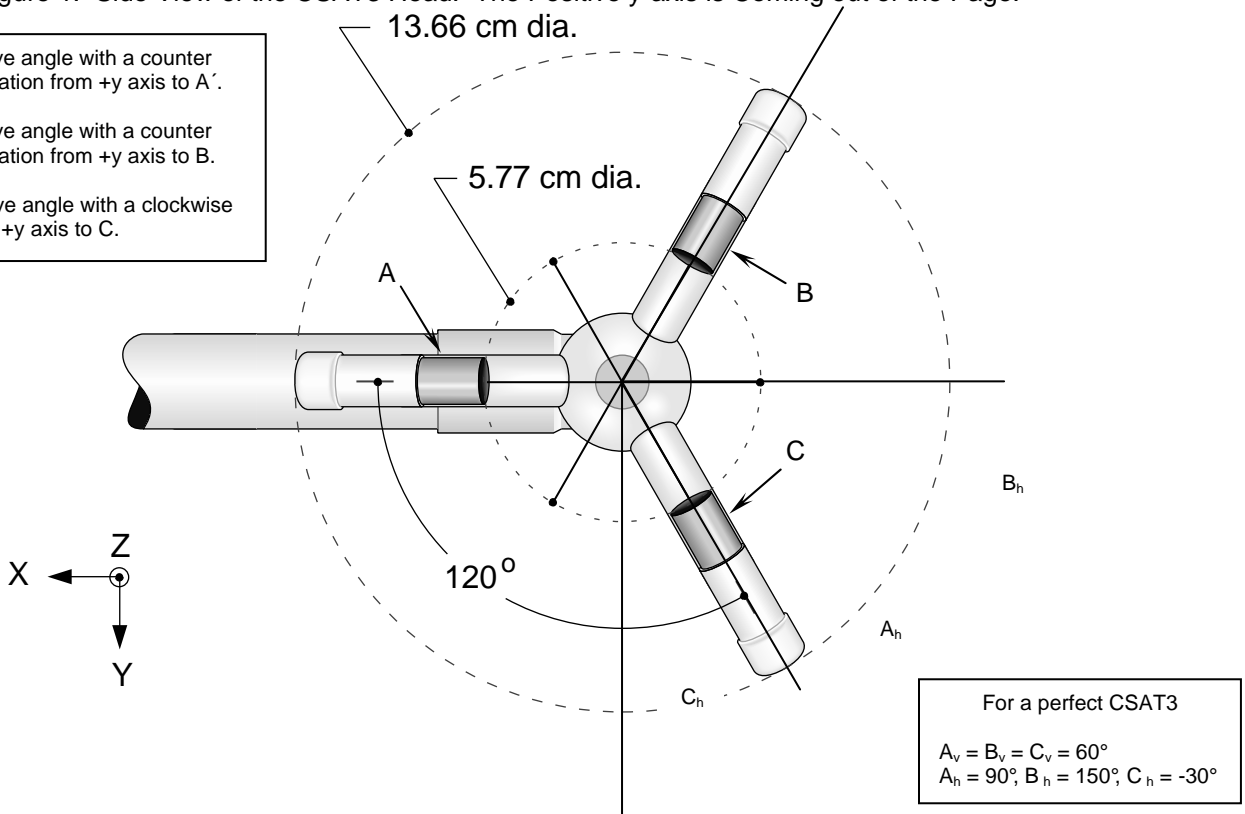


Figure 1. Side View of the CSAT3 Head. The Positive y-axis is Coming out of the Page.

A_h is a positive angle with a counter clockwise rotation from +y axis to A' .

B_h is a positive angle with a counter clockwise rotation from +y axis to B.

C_h is a positive angle with a clockwise rotation from +y axis to C.



For a perfect CSAT3

$A_v = B_v = C_v = 60^\circ$

$A_h = 90^\circ; B_h = 150^\circ; C_h = -30^\circ$

Figure 2. Top View of the Lower Transducers. The Positive z-axis is coming out of the Page.